

## *NomiStar Inc.*

102 W. Commercial Ave.  
Moonachie, NJ 07074  
Phone: 973-424-0909/877-424-0909  
Fax: 973-424-9090/800-854-0296  
Email: [info.nj@nomistar.net](mailto:info.nj@nomistar.net)



## *NomiStar Inc.*

1043 N Lombard Rd  
Lombard, IL 60148  
Phone: 630-261-9300/877-261-9333  
Fax: 630-261-0061/866-633-7755  
Email: [info.il@nomistar.net](mailto:info.il@nomistar.net)

## Mini Blinds

### **Contract Mini Blinds 1" x 1", Slats 6 Gauge**



### **Color Selection**

White Gloss 0001

Snow 0065

Alabaster 0285

Char Brown 0060

Matte Black 0049

Brushed Aluminum 0058

Perforated Snow 0065P

Perforated Alabaster 0285P

Perforated Brushed Aluminum 0058P

Perforated Matte Black 0049P

Effective 12/15/2021

# NomiStar Inc.

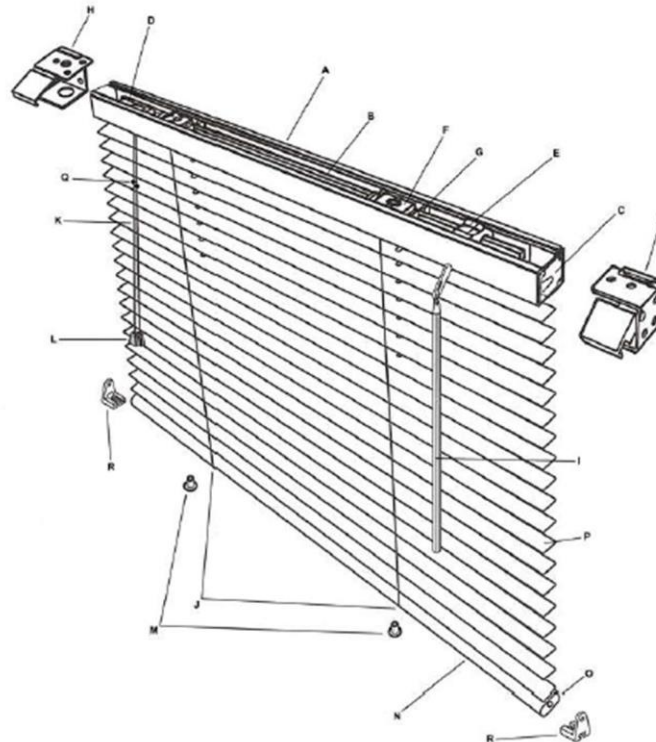
102 W. Commercial Ave  
Moonachie, NJ 07074  
Phone: 973-424-0909/877-424-0909  
Fax: 973-424-9090/800-854-0296  
Email: [info.nj@nomistar.net](mailto:info.nj@nomistar.net)



# NomiStar Inc.

1043 N Lombard Rd  
Lombard, IL 60148  
Phone: 630-261-9300/877-261-9333  
Fax: 630-261-0061/866-633-7755  
Email: [info.il@nomistar.net](mailto:info.il@nomistar.net)

## SPECIFICATIONS



### Parts

A)	Headrail — Steel	L)	Cord Tassels
B)	Pinion Rod (Tilt Rod) — Square	M)	Bottomrail Plugs
C)	End Stiffeners	N)	Bottomrail — C Shape
D)	Cord Lock	O)	Bottomrail End Caps
E)	Wand Tilter	P)	Slats
F)	Tape Drum (Ladder Drum)	Q)	Cord Safety Rings
G)	Tape Drum Support (Cradle)	R)	Hold Down Brackets — Optional
H)	Box Installation Bracket		
I)	Wand — Clear Hexagonal		
J)	Cord Ladder		
K)	Lift Cord 1.4mm		

### System Features:

- Heavy Duty Metal and Plastic Components
- Wand Tilter has a metal stem, making it the strongest tilter in the industry

Effective 12/15/2021

# NomiStar Inc.

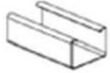
102 W. Commercial Ave  
Moonachie, NJ 07074  
Phone: 973-424-0909/877-424-0909  
Fax: 973-424-9090/800-854-0296  
Email: [info.nj@nomistar.net](mailto:info.nj@nomistar.net)



# NomiStar Inc.

1043 N Lombard Rd  
Lombard, IL 60148  
Phone: 630-261-9300/877-261-9333  
Fax: 630-261-0061/866-633-7755  
Email: [info.il@nomistar.net](mailto:info.il@nomistar.net)

## SPECIFICATIONS



**Channel:** 1" wide x 1" Phosphate treated Steel, Polyester baked enamel to match slat color.  
Wall thickness 0.024" (before paint)  
Headrail components are made of a combination of metal and low friction acetal thermoplastics  
Snap-in design of component allows for quick and easy repair if necessary.

**Valance:** (Color Coordinated)  
1" Single Slat Valance  
Double Slat Valance (available upon request)



**Bottom Rail:** (Color Coordinated)  
Steel – C Shape  
Phosphate treated Steel  
Wall thickness 0.024" (before paint)  
Clear Plastic End Caps



**Operating Control Options:**

**Wand Tilt Only** The stem of the tilt mechanism is made of steel, providing superior durability  
The worm and gear arrangement is entirely enclosed inside an acetal thermoplastic housing.

**Control Locations:** (Restrictions May Apply)

Standard: Tilt – Left/Lift – Right  
Reverse: Tilt – Right/Lift – Left  
Same Left: Tilt- Left/ Lift – Left  
Same Right: Tilt- Right/Lift – Right

Blinds under 12" Center Tilt Only – No Lift  
Blinds Between 12" – 18" Must Have Split Controls



**Lift Controls (Cord Lock):**

Snap in design incorporates a stainless steel wear guard over which cords pass  
Incorporates a "Crash Proof" safety feature that locks the blind automatically upon release of cords.

**Cord Ladder:** (Color Coordinated)

Polyester braided cord ladders are designed to ensure proper control with adequate overlap of slats when in the closed position

**Cord Ladder Spacing:**

Maximum spacing between rout hole: 20" spacing  
Contract Ladder: 21.5mm (14.2 Slats/ft.)



**Lift Cords:** (Color Coordinated)

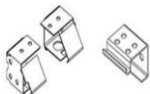
1.8mm Polyester braided cords designed for lifting and lowering the blinds

**Cord Lengths:**

All Control Lengths **Must** Be Specified in Writing

**Mounting Hardware:**

Universal Box brackets (Color Coordinated) Center supports on blinds wider than 60"  
Waffle Brackets (Spacer Blocks) Upon Request  
Hold Down Brackets Available Upon Request



**Size Recommendations:**

Minimum Width 9"  
Minimum Drop 12"  
Maximum Width 142"  
Maximum Drop 144

Effective 12/15/2021

# NomiStar Inc.

102 W. Commercial Ave  
 Moonachie, NJ 07074  
 Phone: 973-424-0909/877-424-0909  
 Fax: 973-424-9090/800-854-0296  
 Email: [info.nj@nomistar.net](mailto:info.nj@nomistar.net)



# NomiStar Inc.

1043 N Lombard Rd  
 Lombard, IL 60148  
 Phone: 630-261-9300/877-261-9333  
 Fax: 630-261-0061/866-633-7755  
 Email: [info.il@nomistar.net](mailto:info.il@nomistar.net)

## 1" Aluminum Mini Blind

**Type of Mini Blind**

**Headrail**

**Gauge**

Contract

1" x 1"

6

### WIDTH

	23	26	29	32	36	40	44	48	52	57	62	67	72	82	92	102	112	122	132	142
<b>42</b>	44	47	50	53	58	63	66	70	73	82	86	91	97	106	116	130	140	153	161	173
<b>48</b>	47	52	54	58	63	67	72	77	82	86	93	98	104	116	125	137	151	166	177	186
<b>54</b>	51	54	59	63	67	73	77	83	86	96	101	106	112	127	137	145	157	170	186	200
<b>60</b>	53	59	63	67	72	78	82	86	92	102	112	117	123	136	147	158	173	192	202	216
<b>66</b>	57	63	67	71	76	82	86	93	99	110	117	123	129	145	157	174	194	205	215	233
<b>72</b>	60	65	70	76	82	86	92	99	109	117	125	131	140	155	170	192	207	221	239	252
<b>78</b>	63	69	74	78	85	92	98	106	116	127	132	140	153	168	186	202	218	231	251	271
<b>84</b>	65	73	78	85	92	99	106	115	125	136	142	154	167	184	202	219	235	253	268	289
<b>90</b>	70	77	84	91	99	106	115	125	135	143	153	166	181	199	218	233	252	271	293	318
<b>96</b>	72	79	86	95	105	115	125	136	144	156	169	180	196	215	234	252	273	294	317	341
<b>102</b>	76	83	91	101	112	122	136	144	157	169	181	197	212	233	252	272	297	313	335	359
<b>108</b>	77	86	95	105	117	129	143	156	170	181	199	213	229	252	274	297	315	337	359	384
<b>114</b>	82	89	97	109	122	136	147	162	175	188	205	223	238	264	290	313	338	359	385	415
<b>120</b>	85	93	102	114	127	143	154	173	186	205	222	235	258	284	312	330	357	384	413	442
<b>126</b>	90	98	106	122	132	151	163	181	196	214	233	244	267	293	320	343	370	404	434	469
<b>132</b>	93	102	112	130	141	160	171	188	206	223	242	253	276	309	335	357	384	416	448	485
<b>138</b>	97	106	117	138	149	169	181	196	214	233	252	264	286	326	352	374	401	438	466	504
<b>144</b>	101	114	123	145	157	177	189	206	223	242	263	273	296	341	365	388	415	449	482	520

L  
E  
N  
G  
T  
H

Includes Single Slat Valance

**Perforated Mini-Blinds 15% Surcharge**

**8 Gauge - 15% Surcharge (available in Alabaster and Snow Only)**

<b>Surcharges:</b>	
Undersized Blind (12" and less in width)	\$30.00 net charge
Oversized Blind (greater than 120" in length)	\$30.00 net charge Hold
Down Brackets	NC
Hidden Brackets (upon request)	NC

Effective 12/15/2021

## *NomiStar Inc.*

102 W. Commercial Ave  
Moonachie, NJ 07074  
Phone: 973-424-0909/877-424-0909  
Fax: 973-424-9090/800-854-0296  
Email: [info.nj@nomistar.net](mailto:info.nj@nomistar.net)



## *NomiStar Inc.*

1043 N Lombard Rd  
Lombard, IL 60148  
Phone: 630-261-9300/877-261-9333  
Fax: 630-261-0061/866-633-7755  
Email: [info.il@nomistar.net](mailto:info.il@nomistar.net)

### **FedEx & Common Carrier Shipping Policy**

(Applies to Non-Contract Orders)

#### **FedEx Ground Damages**

- Damages to product shipped via FedEx Ground must be reported immediately. Additionally, photos of the damaged boxes or product should be submitted.
- The respected portion of an order reported damaged via FedEx ground will be remade at no charge.
- NomiStar Inc reserves the right to request the product back from the customer.

#### **FedEx Freight & Common Carrier Freight Damages**

It is the customer's responsibility to inspect FedEx Freight and Common Carrier Freight shipments thoroughly to determine if there is any external or internal damage to the enclosed product. Please inspect shipments for dents, footsteps, wrinkling in the cardboard boxes, or areas of the boxes that appear to be pushed in.

By accepting the shipment "in good condition," the customer acknowledges that the product is damage-free and in good working order. Damage to the enclosed product **cannot** be claimed once you have accepted the product from the freight carrier.

If the customer determines that any part if the product is damaged, they must sign for the shipment noting on the Bill of Lading – "Product Arrived Damaged". **If it is determined that the entire shipment is damaged, the entire delivery should be refused.** If product damage occurs, NomiStar Inc must be notified immediately after the date of the attempted delivery. **Any claims after 14 days will be denied.**

Effective 12/15/2021